

SYST VDN/VEN

Commissioning

08/12/2025

To adjust the valve

The k_v -value shows the water quantity $100 \dot{V}$ in m^3/h for a pressure drop Δp_{v100} across the valve of 1 bar.

On delivery, the valves are fully open, position N:

SYST VDN215 and SYST VEN115: k_v 0.89

SYST VDN220 and SYST VEN120: k_v 1.41).

The required k_v -value is set during commissioning.

The flow rate can be set by adjusting the valve cone setting. This is easily done using the protective housing (supplied with the unit) with a k_v -value having marks of different length (see table 1). The lift height is always the same, regardless of setting.

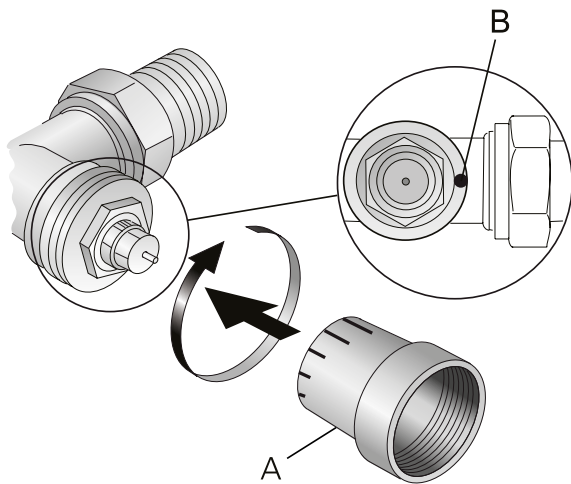


Figure 1. Commissioning of k_v -value

A = Protective housing, rotatable through 180°

B = Marking on the outlet side of the valve

1. Fit the protective housing A over the valve.
2. Turn the protective housing until the desired reference mark is centred with mark B on the valve.

Table 1. k_v -value (m^3/h) for different settings

A	1	2	3	4	5	N(k_{vs})

B

Type	1	2	3	4	5	N(k_{vs})
SYST VDN215	0.10	0.20	0.31	0.45	0.69	0.89
SYST VDN220	0.11	0.41	0.54	0.83	0.91	1.41
SYST VEN115	0.10	0.20	0.31	0.45	0.69	0.89
SYST VEN120	0.11	0.41	0.54	0.83	0.91	1.41

A = Reference mark

B = k_v -value